

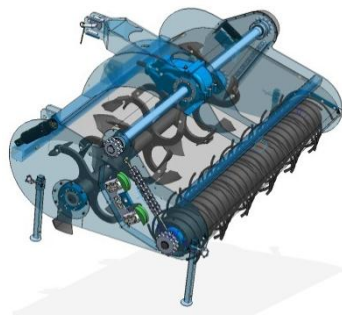


imants

Since 1885

The Imants 33SX Series

The new-design Imants 33SX series spading machine, with its low build and distinctive Imants yellow stripes, is now available. The machine has a working depth of 15 to 35 cm and is perfect for preparing seed or plant beds in a single run. The 33SX spading machine is ideal for tractors with 45 to 80 hp and is available with a working width of 210 or 250 cm.



The 33SX is the best possible choice for light tractors used in tree nurseries and the horticultural and agricultural industries, whether outdoors or in greenhouses. Because the soil is loosened equally across the entire working depth and width, a uniform seedbed is created.

Both the headlands and the edges are finished off in a single run, while the crumbler roller provides a uniformly compressed seedbed. It is the ideal solution for saving time and money by reducing the number of tillage steps and compaction.

The spading machine comes standard with a driven crumbler roller, a quick-change system to exchange spade blades and a Walterscheid PTO with torque limiter. For further information, or local dealer or for a test run at the location of your choice, please get in touch with our sales department



Model	Working width	Working depth	Number of spades	Working speed	Minimum required kW	Maximum allowable kW	Weight
33SX210KH	210 cm	15-35 cm	20	1-3,5 km/h	35 kW	60 kW	1000 Kg
33SX250KH	250 cm	15-35 cm	24	1-3,5 km/h	40 kW	60 kW	1100 Kg